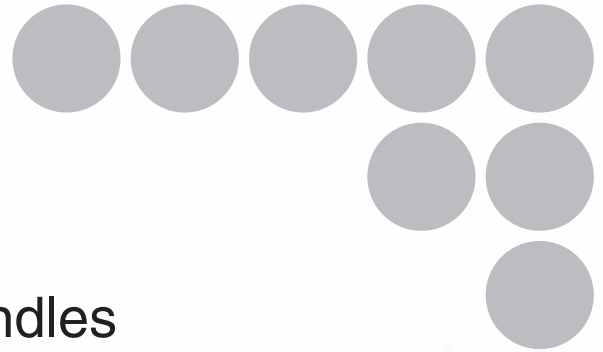


OMRON

Digital Amplifier Ultrasonic Sensor E4C-UDA Series

A Reflective Sensor That Handles
All Types of Sensing Object Colors
and Patterns



realizing

Sensor Heads

Head Variations



E4C-DS30

300-mm Model

Sensing Distance: 50 to 300 mm



E4C-DS80

800-mm Model

Sensing Distance: 70 to 800 mm



1,000-mm Model

Sensing Distance: 90 to 1,000 mm



The yellow indicator lights to show that the Ultrasonic Sensor is in sensing range.

Enables reliable detection that are difficult to detect

Compact with a Broad Selection of Side-view Heads

A wide range of Side-view Models are available in an M18 metal body - the smallest in its class. This is the first multi-detection sensor that handles all types of sensing object. The Head conforms to IP65, which means it can be used in environments exposed to dust and moisture (Sensor Head only).



Short body



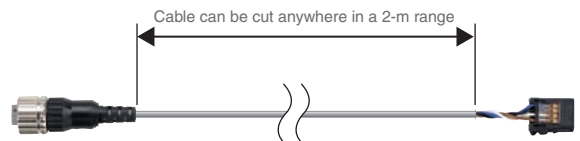
Side view



Long range

Free-cut Cable

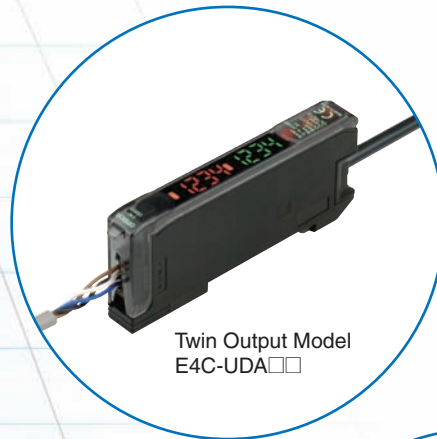
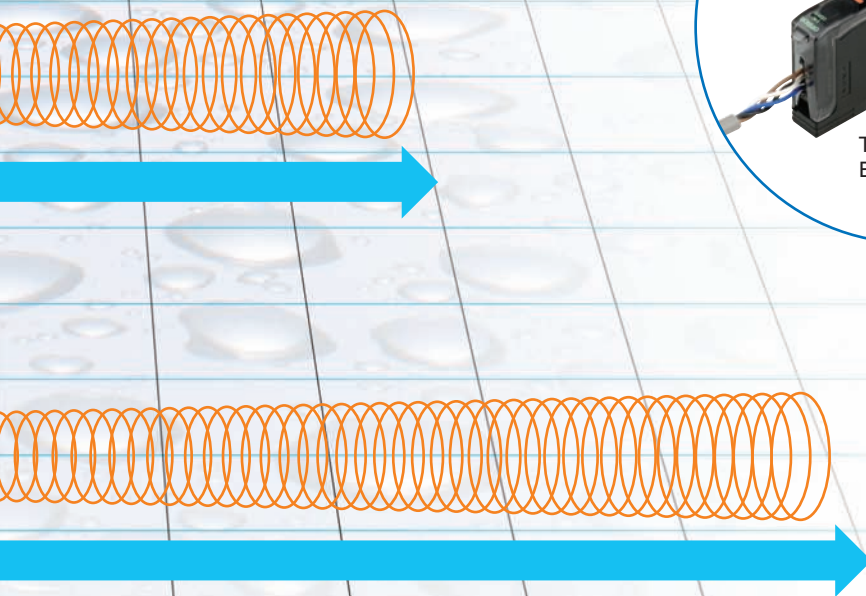
The cable between the Sensor Head and amplifier uses clamp connectors that conform to OMRON original E-con specifications, which makes it easy to cut and adjust the cable length.



Amplifiers

Amplifier Variations

Range Discrimination with Two Threshold Values



Twin Output Model
E4C-UDA□□

Analog Output for More Applications

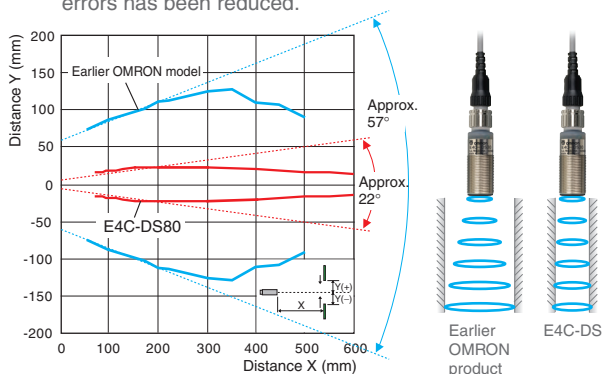


Analog Output Model
E4C-UDA□□AN

of a great variety of workpieces optically.

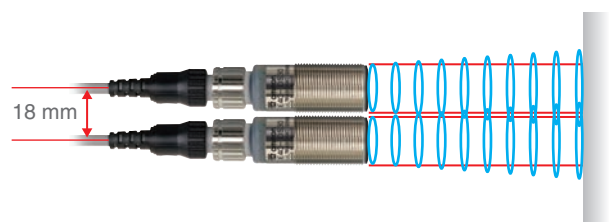
○ Detection Range Features Good Directivity

A great improvement has been made to directivity, which is traditionally a weak point of ultrasonic sensors. The influence of peripheral objects that cause detection errors has been reduced.



○ Side-by-side Mounting Possible

There is no mutual interference even with side-by-side mounting. (E4C-DS30/30L/80/80L)



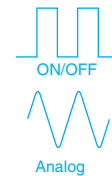
*Mutual interference may occur under some conditions.

Note: The ultrasonic waves shown are an illustration only.

Slim Amplifier with Useful Functions

Multi-function Slim Amplifier

A two-output or one-output (analog output) amplifier can be selected to suit the application.

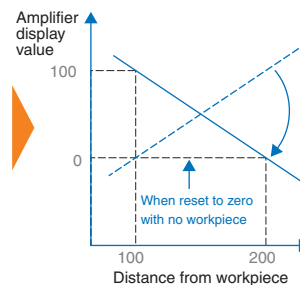
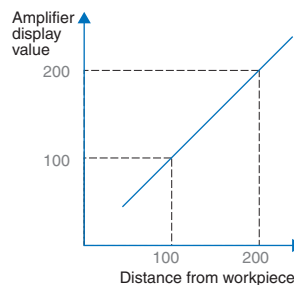
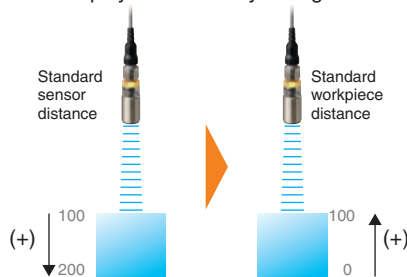


Analog Control Output

A voltage of 1 to 5 V is output depending on the detection volume (digitally displayed). This can be used for a variety of applications, such as position control and multi-level discrimination and detection.

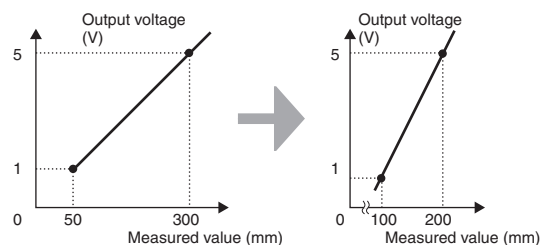
Scaling Function

The zero reset function means that the standard sensor distance display can be easily changed to a workpiece height display.



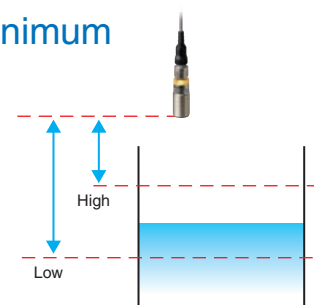
Monitor Focus Function

Analog output allocations can be changed according to the distance range to enable narrowing the range and thus achieve high-precision outputs.



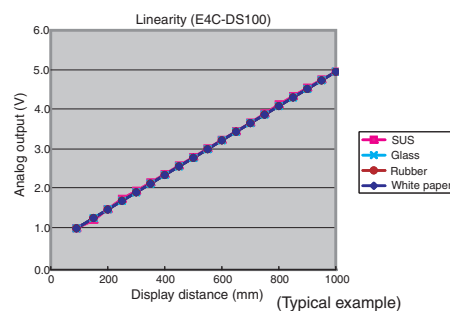
Settings for Threshold Maximum and Minimum

The threshold values can be set directly with position teaching using a workpiece. Even without a workpiece, the threshold values can be set directly using distance.



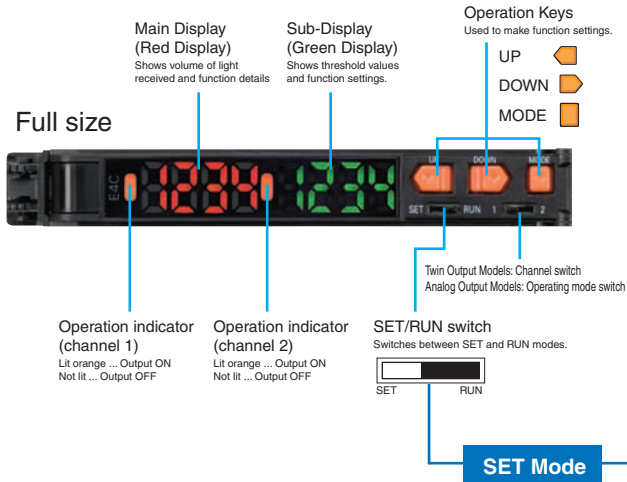
High Stability Not Influenced by Color or Material

Metal, glass, rubber - a wide variety of materials that were difficult to measure without contact can now be measured. Another feature of the E4C-UDA Series is the small error margin in the measurement values.



Easy-to-read Digital Distance Display

Distance Display (mm)



Simple Settings Using Key Operations

Switching to SET Mode

Mode Selection

0-op non

1-Ru 8

2-tF ----

3-dP

4-nd 2Pnt

5-bS ----

6-br 0

7-rv d 123

8-S5 ----

9-Sc ----

Function Selection

n-on Near distance ON

f-on Far distance ON

1 to 256

---- Timer disabled

offd OFF-delay timer

on-d ON-delay timer

1Shot One-shot timer

250 130
PERM botA
Current distance and threshold value
Distance between the nearest workpiece on the Near side and the farthest workpiece on the Far side

250 PERM
250 1ch
Current distance and distance at peak
Current distance and channel No.

2Pnt Teaching with and without a workpiece

Auto Automatic-teaching

PPt Position teaching

0-rst Execute a zero reset

offst Position teaching

0. Operation mode
Note: "0. Operation mode" is not supported for analog outputs.

1. Number of samples to average

2. Timer

3. Display switch

4. MODE key setting

5. Bank selection

6. Bank registration

7. Display orientation

8. Sensor model selection

9. Scaling set

For the Twin Output Model

10. Output method setting

2oUt Output on each channel

PERA This is output only when there is a workpiece between the two threshold value distances.

2bIt 2BIT output

For the Analog Output Model

10. Output method setting

2Pnt Range of two preset points is output as 1 to 5 V.

rFct Near-distance side rated distance to background setting range is output as 1 to 5 V.

rFcs Range of two points preset by direct entry is output as 1 to 5 V.

One-touch Teaching to Remove the Effect of the Background

Setting Example

Set the function to **2Pnt** (teaching with and without a workpiece). (2PNT is the default setting.) Set the threshold value without a workpiece (i.e., in reference to the background).

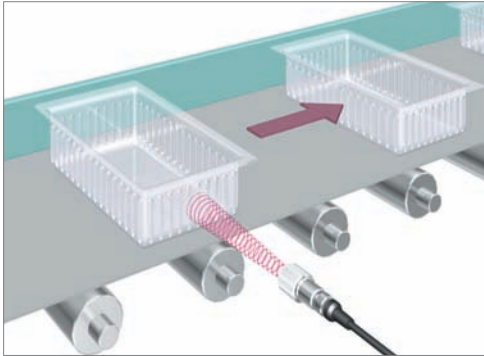
Set the threshold value at a distance 10% in front of the sensing range width in reference to the distance without a workpiece.

Example: The threshold is set 25 mm in front of the sensing range for the E4C-DS30 (sensing range: 50 to 300 mm).

Display	Operation	Setup
	 SET RUN Switch to the SET mode.	
tEch ----	 Press the UP or DOWN key.	 No workpiece
rFct 200	 Hold down the UP or DOWN key for more than 3 seconds.	 Threshold value Measurement range x 10% No workpiece
	 SET RUN Switch to the RUN mode.	

Variety of Applications

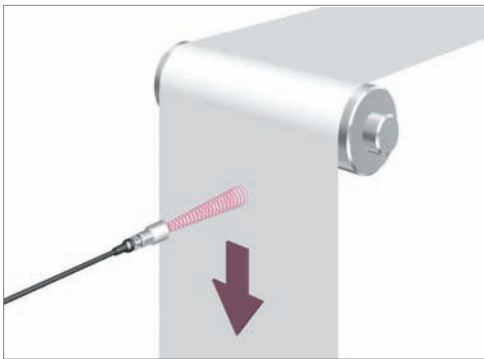
●Detection of Transparent Trays



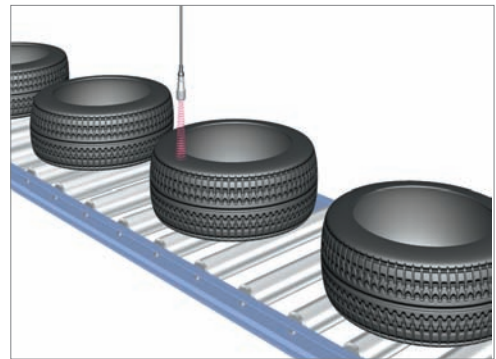
●Inspection of Solvent Tank Levels



●Detection of Sheet Sag



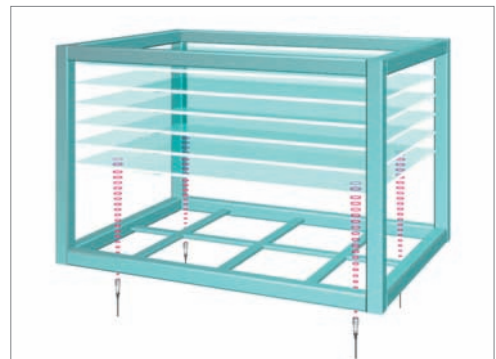
●Detection of Tires



●Control of Rubber Sheet Tension



●Detection of Position of Remaining Glass Substrates in Cassettes



Note: The E4C-UDA Series cannot be used in some circumstances, depending on the conditions.

Ordering Information


Sensors

Sensor Heads

Shape	Model	Measurement range	Model
M18	Straight	50 to 300 mm	E4C-DS30
	Side view		E4C-DS30L
	Straight	70 to 800 mm	E4C-DS80
	Side view		E4C-DS80L
	Straight	90 to 1000 mm	E4C-DS100

Note: Refer to the definition of resolution in the *Ratings and Specifications* tables for information on conditions required to achieve this resolution.

Amplifiers

Shape	Power supply	Output specifications	Model
	DC	NPN output	E4C-UDA11
			E4C-UDA11AN
		PNP output	E4C-UDA41
			E4C-UDA41AN

Ratings and Specifications

Sensor Heads

Item	Model	E4C-DS30	E4C-DS30L	E4C-DS80	E4C-DS80L	E4C-DS100
Measurement range		50 to 300 mm		70 to 800 mm		90 to 1,000 mm
Standard sensing object		100 × 100 mm SUS flat plate				
Near distance dead band		0 to 50 mm		0 to 70 mm		0 to 90 mm
Transmission frequency		Approx. 390 kHz		Approx. 205 kHz		
Response speed		30 ms		100 ms		125 ms
Ambient temperature range		Operating: -25 to 70°C, Storage: -40 to 85°C (with no icing or condensation)				
Ambient humidity range		Operating and storage: 35% to 85% (with no condensation)				
Enclosure rating		IP65				
Indicator		(Yellow) Lit: Sensor within sensing range				
Weight		Approx. 150 g				Approx. 170 g

Amplifiers

Model		Twin Output Models		Analog Output Models	
Model number		E4C-UDA11	E4C-UDA41	E4C-UDA11AN	E4C-UDA41AN
Output configuration		NPN output	PNP output	NPN output	PNP output
Connection method		Pre-wired			
Supply voltage		12 to 24 VDC ± 10%, ripple 10% max.			
Current consumption		80 mA max.			
Control output		NPN open collector (26.4 VDC max.), Load current: 50 mA max., Residual voltage: 1 V max.			
Timer		OFF/OFF-delay/ON-delay/one-shot			
Timer time		1 ms to 5 s			
Analog output	Output form	---		Voltage output (1 to 5 V DC)	
	Connected load	---		10 kΩ min.	
	Temperature characteristics	---		0.3% F.S./°C	
	Resolution	---		2.0% F.S. (See note.)	
	Linearity	---		±2% F.S.	
Ambient temperature range		Operating: -25 to 55°C, Storage: -30 to 70°C (with no icing or condensation)			
Ambient humidity range		Operating and storage: 35% to 85% (with no condensation)			
Insulation resistance		50 MΩ min. (at 500 VDC)			
Dialectic strength		1,000 VAC, 50/60 Hz for 1 min			
Vibration resistance		10 to 150 Hz, 0.75-mm double amplitude, 80 min each in X, Y, and Z directions			
Shock resistance		500 mm/s ² , 3 times each in X, Y and Z directions			
Enclosure rating		IP 50			
Materials		Case: PBT (polybutylene terephthalate), Cover: Polycarbonate			
Weight (packed state)		Approx. 150 g			
Accessories		Instruction Manual			

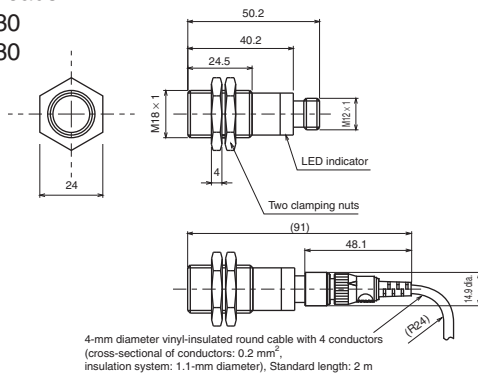
Note: Value one hour after the product is turned ON. External disturbances, however, sometimes cause minute outputs.

External Dimensions

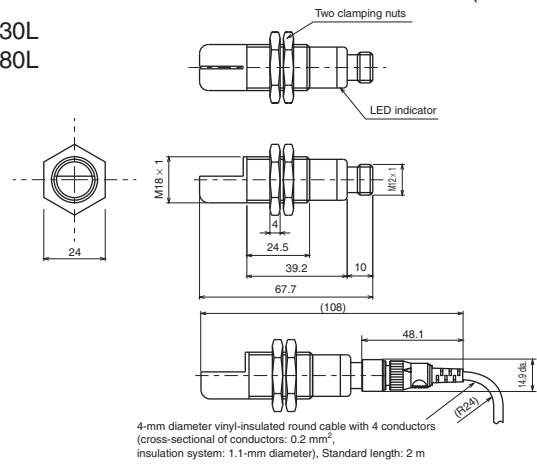
(Unit: mm)

Sensor Heads

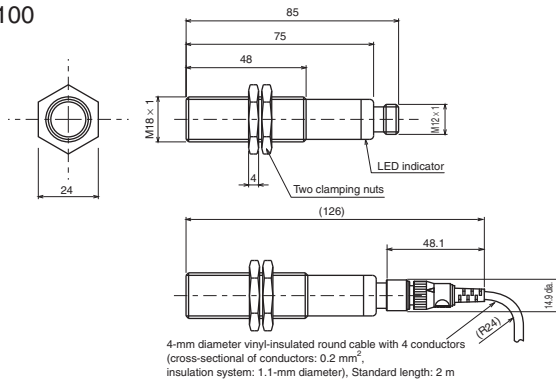
E4C-DS30
E4C-DS80



E4C-DS30L
E4C-DS80L

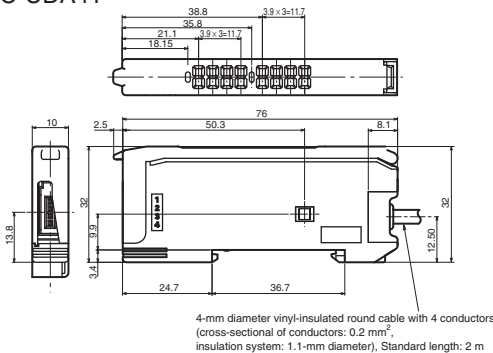


E4C-DS100

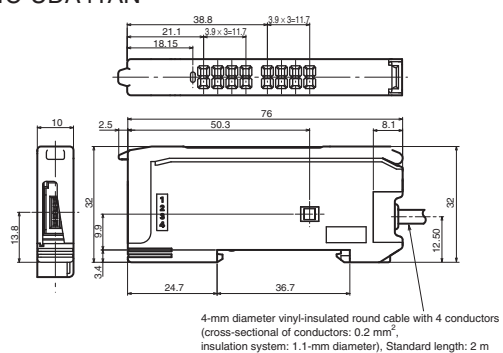


Amplifiers

E4C-UDA11
E4C-UDA41



E4C-UDA11AN
E4C-UDA41AN



This document provides information mainly for selecting suitable models. Please read the Instruction Sheet carefully for information that the user must understand and accept before purchase, including information on warranty, limitations of liability, and precautions.

Note: Do not use this document to operate the Unit.

OMRON Corporation
Industrial Automation Company
Sensing Devices Division H.Q.
Application Sensors Division
Shiokoji Horikawa, Shimogyo-ku,
Kyoto, 600-8530 Japan
Tel: (81) 75-344-7068/Fax: (81) 75-344-7107

Regional Headquarters
OMRON EUROPE B.V.
Sensor Business Unit
Carl-Benz-Str. 4, D-71154 Nufringen,
Germany
Tel: (49) 7032-811-0/Fax: (49) 7032-811-199

OMRON ELECTRONICS LLC
One Commerce Drive Schaumburg,
IL 60173-5302 U.S.A.
Tel: (1) 847-843-7900/Fax: (1) 847-843-7787

OMRON ASIA PACIFIC PTE. LTD.
No. 438A Alexandra Road # 05-05/08 (Lobby 2),
Alexandra Technopark, Singapore 119967
Tel: (65) 6835-3011/Fax: (65) 6835-2711

OMRON (CHINA) CO., LTD.
Room 2211, Bank of China Tower,
200 Yin Cheng Zhong Road,
PuDong New Area, Shanghai, 200120, China
Tel: (86) 21-5037-2222/Fax: (86) 21-5037-2200

Authorized Distributor:

In the interest of product improvement,
specifications are subject to change without notice.

Read and Understand This Catalog

Please read and understand this catalog before purchasing the products. Please consult your OMRON representative if you have any questions or comments.

Warranty and Limitations of Liability

WARRANTY

OMRON's exclusive warranty is that the products are free from defects in materials and workmanship for a period of one year (or other period if specified) from date of sale by OMRON.

OMRON MAKES NO WARRANTY OR REPRESENTATION, EXPRESS OR IMPLIED, REGARDING NON-INFRINGEMENT, MERCHANTABILITY, OR FITNESS FOR PARTICULAR PURPOSE OF THE PRODUCTS. ANY BUYER OR USER ACKNOWLEDGES THAT THE BUYER OR USER ALONE HAS DETERMINED THAT THE PRODUCTS WILL SUITABLY MEET THE REQUIREMENTS OF THEIR INTENDED USE. OMRON DISCLAIMS ALL OTHER WARRANTIES, EXPRESS OR IMPLIED.

LIMITATIONS OF LIABILITY

OMRON SHALL NOT BE RESPONSIBLE FOR SPECIAL, INDIRECT, OR CONSEQUENTIAL DAMAGES, LOSS OF PROFITS, OR COMMERCIAL LOSS IN ANY WAY CONNECTED WITH THE PRODUCTS, WHETHER SUCH CLAIM IS BASED ON CONTRACT, WARRANTY, NEGLIGENCE, OR STRICT LIABILITY.

In no event shall responsibility of OMRON for any act exceed the individual price of the product on which liability is asserted.

IN NO EVENT SHALL OMRON BE RESPONSIBLE FOR WARRANTY, REPAIR, OR OTHER CLAIMS REGARDING THE PRODUCTS UNLESS OMRON'S ANALYSIS CONFIRMS THAT THE PRODUCTS WERE PROPERLY HANDLED, STORED, INSTALLED, AND MAINTAINED AND NOT SUBJECT TO CONTAMINATION, ABUSE, MISUSE, OR INAPPROPRIATE MODIFICATION OR REPAIR.

Application Considerations

SUITABILITY FOR USE

OMRON shall not be responsible for conformity with any standards, codes, or regulations that apply to the combination of products in the customer's application or use of the product.

At the customer's request, OMRON will provide applicable third party certification documents identifying ratings and limitations of use that apply to the products. This information by itself is not sufficient for a complete determination of the suitability of the products in combination with the end product, machine, system, or other application or use.

The following are some examples of applications for which particular attention must be given. This is not intended to be an exhaustive list of all possible uses of the products, nor is it intended to imply that the uses listed may be suitable for the products:

- Outdoor use, uses involving potential chemical contamination or electrical interference, or conditions or uses not described in this catalog.
- Nuclear energy control systems, combustion systems, railroad systems, aviation systems, medical equipment, amusement machines, vehicles, safety equipment, and installations subject to separate industry or government regulations.
- Systems, machines, and equipment that could present a risk to life or property.

Please know and observe all prohibitions of use applicable to the products.

NEVER USE THE PRODUCTS FOR AN APPLICATION INVOLVING SERIOUS RISK TO LIFE OR PROPERTY WITHOUT ENSURING THAT THE SYSTEM AS A WHOLE HAS BEEN DESIGNED TO ADDRESS THE RISKS, AND THAT THE OMRON PRODUCT IS PROPERLY RATED AND INSTALLED FOR THE INTENDED USE WITHIN THE OVERALL EQUIPMENT OR SYSTEM.

Disclaimers

CHANGE IN SPECIFICATIONS

Product specifications and accessories may be changed at any time based on improvements and other reasons.

It is our practice to change model numbers when published ratings or features are changed, or when significant construction changes are made. However, some specifications of the product may be changed without any notice. When in doubt, special model numbers may be assigned to fix or establish key specifications for your application on your request. Please consult with your OMRON representative at any time to confirm actual specifications of purchased product.

DIMENSIONS AND WEIGHTS

Dimensions and weights are nominal and are not to be used for manufacturing purposes, even when tolerances are shown.

ERRORS AND OMISSIONS

The information in this catalog has been carefully checked and is believed to be accurate; however, no responsibility is assumed for clerical, typographical, or proofreading errors, or omissions.

PERFORMANCE DATA

Performance data given in this catalog is provided as a guide for the user in determining suitability and does not constitute a warranty. It may represent the result of OMRON's test conditions, and the users must correlate it to actual application requirements. Actual performance is subject to the OMRON Warranty and Limitations of Liability.

PROGRAMMABLE PRODUCTS

OMRON shall not be responsible for the user's programming of a programmable product, or any consequence thereof.

COPYRIGHT AND COPY PERMISSION

This catalog shall not be copied for sales or promotions without permission.

This catalog is protected by copyright and is intended solely for use in conjunction with the product. Please notify us before copying or reproducing this catalog in any manner, for any other purpose. If copying or transmitting this catalog to another, please copy or transmit it in its entirety.